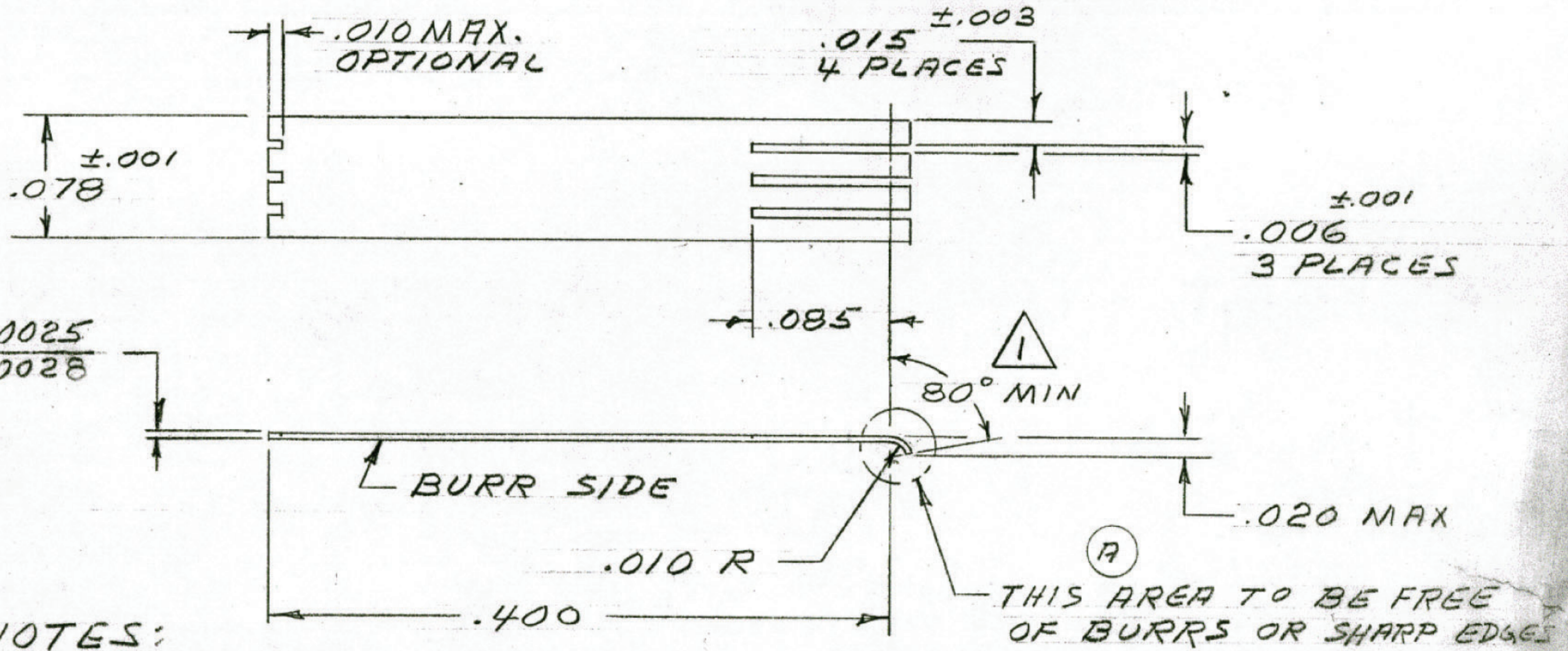


REVISIONS			
LTR	DESCRIPTION	DATE	APPROVED
A	ECO # 2453	5-31-77	mjd
B	ECO # 3290 (MAT'L NOTES ADDED)	12-7-92	DWV



NOTES:
 $\triangle 1$ NO TOOL MARKS

CUSTOMER:	TOLERANCES UNLESS OTHERWISE SPECIFIED			NAME	DATE	TZ006		
PART No.	DECIMAL XX $\pm .010$ XXX $\pm .005$ XXXX $\pm .0005$	FRACTION $\pm \frac{1}{64}$	ANGLES	DRAWN: M. J. DUBE	10/27/76			
TERRITORY:	MATERIAL: \textcircled{B} REFERENCE SHOP ORDER FOR ALLOY AND CONDITION, (STD: PALINEY 7 H.T.)			CHECKED:				
FINAL ASSEMBLY No.	FINISH:			APPROVED: H. P. YORSENSEN	10/28/76			
UNLESS OTHERWISE SPECIFIED SURFACE ROUGHNESS TO BE	✓			PROJ. ENGR.		SIZE	CODE IDENT No.	DRAWING No.
DO NOT SCALE DRAWING				A	43710	TYPE 1251		
						SCALE: 10 X	SHEET 1 OF 1	